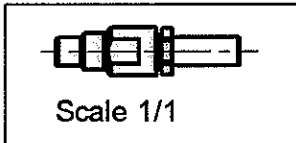
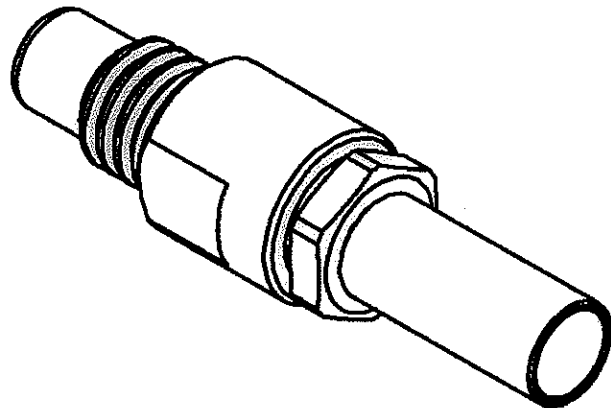
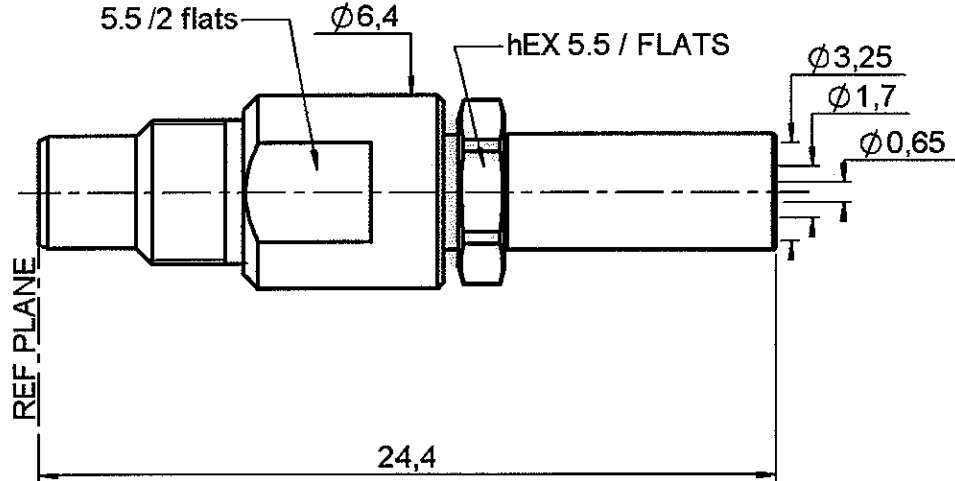


STRAIGHT JACK CRIMP TYPE

R112.239.000

CABLE 2.6/50+75 S

Series : SMC



All dimensions are in mm.

COMPONENTS	MATERIALS	PLATING
BODY	BRASS	GOLD 0.2 OVER NICKEL 2 μm
CENTRE CONTACT	BRASS	GOLD 1.3 OVER NICKEL 2 μm
OUTER CONTACT	-	- μm
INSULATOR	PTFE	
GASKET	-	
OTHERS PARTS	BRASS	GOLD 0.2 OVER NICKEL 2 μm
-	-	-
-	-	-



Issue : 9925 J

Design changes may be in order to improve the product.

STRAIGHT JACK CRIMP TYPE

R112.239.000

CABLE 2.6/50+75 S

Series : SMC

ELECTRICAL CHARACTERISTICS

Impedance	50 Ω
Frequency	0-10 GHz
VSWR	1.20 + 0.040 x F(GHz) Maxi
Insertion loss	0.125 √F(GHz) dB
RF leakage	-(62 - F(GHz)) dB mini
Voltage rating	335 Veff Maxi
Dielectric withstanding voltage	1000 Veff mini
Insulation resistance	1000 MΩ mini

SPECIFICATION

Stripping	a	b	c	d	e	f
mm	2.50	1.20	4.50	4.50	0.00	0.00

Assembly instruction :

Recommended cable(s)

- RG 187
- RG 188
- RG 316
- RG 179
- KX 22A

Cable retention

- pull off 110 N mini
- torque NA N.cm

MECHANICAL CHARACTERISTICS

Centre contact retention	
Axial force – Mating end	10 N mini
Axial force – Opposite end	10 N mini
Torque	NA N.cm mini

TOOLING

Part Number	Description	Hexagon
.	.	.
R282.235.003	CRIMPING DIES	3.25
R282.293.000	CRIMPING TOOL	-
R282.211.000	CRIMPING TOOL	3.25

Recommended torque	
Mating	NA N.cm
Panel nut	NA N.cm
Clamp nut	NA N.cm
A/F clamp nut	0.000 mm

OTHERS CHARACTERISTICS

Mating life	500 Cycles mini
Weight	0.000 g

ENVIRONMENTAL

Operating temperature	-65/+165 °C
Leakage – pressurised only	NA Atm.cm3/s
Hermetic seal	NA Mpa



Issue : 9925 J

Design changes may be in order to improve the product.